

2014

History Dependent Quantum Random Walks as Quantum Lattice Gas Automata

Peter J. Love

Haverford College, plove@haverford.edu

Follow this and additional works at: http://scholarship.haverford.edu/physics_facpubs

Repository Citation

Shakeel, Asif; Meyer, David A.; Love, Peter J. "History dependent quantum random walks as quantum lattice gas automata" *Journal of Mathematical Physics* 55(12): Article No. 122204. 2014.

This Journal Article is brought to you for free and open access by the Physics at Haverford Scholarship. It has been accepted for inclusion in Faculty Publications by an authorized administrator of Haverford Scholarship. For more information, please contact nmedeiro@haverford.edu.

History dependent quantum random walks as quantum lattice gas automata

Asif Shakeel,^{1,a)} David A. Meyer,^{2,a)} and Peter J. Love^{1,a)}

¹*Department of Physics, Haverford College, Haverford, Pennsylvania 19041, USA*

²*Department of Mathematics, University of California/San Diego, La Jolla, California 92093-0112, USA*

(Received 9 May 2014; accepted 29 November 2014; published online 22 December 2014)

Quantum Random Walks (QRW) were first defined as one-particle sectors of Quantum Lattice Gas Automata (QLGA). Recently, they have been generalized to include history dependence, either on previous coin (internal, i.e., spin or velocity) states or on previous position states. These models have the goal of studying the transition to classicality, or more generally, changes in the performance of quantum walks in algorithmic applications. We show that several history dependent QRW can be identified as one-particle sectors of QLGA. This provides a unifying conceptual framework for these models in which the extra degrees of freedom required to store the history information arise naturally as geometrical degrees of freedom on the lattice. © 2014 AIP Publishing LLC. [<http://dx.doi.org/10.1063/1.4903977>]

I. INTRODUCTION

Classical random walks¹ provide a discrete model for the heat/diffusion equation, in which the variance of position after T steps scales as $T^{1/2}$.²⁻⁶ Beyond their physical significance, random walks also have a host of algorithmic applications, ranging from Monte Carlo methods⁷ to probabilistic SATISFIABILITY solvers.^{8,9}

Similarly, *quantum* random walks (QRW) provide discrete models for the Dirac equation¹⁰ in which the variance in position after T steps scales as T ,¹¹ for the following reason. The Dirac equation is a $\Delta x/\Delta t$ constant continuum limit of the QRW in 1 dimension. Taking a $(\Delta x)^2/\Delta t$ constant continuum limit gives the Schrödinger equation¹² which has position variance scaling as it does in the diffusion equation (which is the same continuum limit of the classical random walk). In the scope of search algorithms, Grover's quantum search algorithm¹³ can be understood as a QRW in the presence of a potential, and QRW search algorithms have been found for hypercubes¹⁴ and for cubic lattices in various dimensions.¹⁵ Continuous time analogs of random walks are particularly natural in the quantum setting, where Hamiltonian evolution can be defined.¹⁶ These give algorithms for spatial search^{17,18} and NAND tree evaluation,¹⁹ and provide an example of a provable exponential speedup for the problem of traversing a pair of binary trees connected by a random cycle.²⁰

Classical random walks have been generalized to retain a history of previous positions. The self-avoiding random walk was introduced to model configurations of polymers.^{21,22} Even before the model was formalized, it was recognized that the self-avoidance condition would lead to increased scaling of the linear size of the conformation with the length of the polymer and hence increased viscosity.²²⁻²⁴ Nothing has been proved about this scaling (above dimension 1), however, but a closely related model, the loop-erased random walk, has been defined and is more amenable to analysis.²⁵ Consequently, the latter has been incorporated into improved algorithms for uniformly sampling spanning trees in a graph²⁶ and more generally into the Propp-Wilson algorithm for exact sampling from the equilibrium distribution of a Markov chain.^{27,28}

^{a)}Electronic mail: asif.shakeel@gmail.com; dmeyer@math.ucsd.edu; and plove@haverford.edu.

Given what is known about classical and quantum random walks, and about classical random walks with memory, it is very natural to investigate quantum counterparts of the latter. Several groups have done so, proposing a variety of models for history dependent QRW,^{29–34} including one (in continuous time³⁵) explicitly motivated by the algorithmic problem of finding a connecting path in the glued binary trees problem mentioned above. The standard QRW in one dimension was first defined as the one-particle sector of a quantum lattice gas automaton (QLGA).¹⁰ Recently, more general multi-particle quantum lattice gas models have been studied as special cases of quantum cellular automata (QCA).³⁶ In this paper, we combine these observations to show that each of the history dependent QRW defined to date is, in fact, a QLGA and thus, *a fortiori*, a QCA. Beyond providing a unifying framework within which to construct and compare these models, QCA, with their physical interpretation as discretized quantum field theories, suggest possible physical meanings, and even instantiations, of history dependent QRW.

The paper is organized as follows. In Sec. II, we introduce discrete quantum random walks, and from the literature, describe the extensions of these models to include particle and site history dependence, and also to a two-dimensional non-reversing and non-repeating walk. In Sec. III, we introduce the quantum lattice-gas automata. Then, we formulate QRW with history dependence and the non-reversing and non-repeating walk as QLGA in Sec. IV. We close the paper with some discussion and directions for future work.

II. QRW

We first describe a QRW and then include the history dependence as in Refs. 29–35. A complete basis for the Hilbert space of a discrete time QRW is labelled by the position and a velocity that corresponds to the direction in which the particle has a tendency to move.^{37,38} In one dimension, the position space is $\ell^2(\mathbb{Z})$ (or some periodic quotient thereof) with computational basis elements $|x\rangle$, $x \in \mathbb{Z}$. The velocity space for the simplest models in one dimension has computational basis $|p\rangle$, $p \in \{+1, -1\}$, and hence is a two-dimensional space \mathbb{C}^2 (the two dimensions corresponding to left and right directions on a one-dimensional lattice). The QRW Hilbert space \mathcal{H} is

$$\mathcal{H} = \ell^2(\mathbb{Z}) \otimes \mathbb{C}^2.$$

The state of a QRW is an element $\psi \in \mathcal{H}$ of unit norm $\|\psi\| = 1$.

A QRW evolves through two consecutive unitary actions on its state:

- (i) Advection

$$A : |x\rangle |p\rangle \mapsto |x + p\rangle |p\rangle.$$

- (ii) Scattering

$$I \otimes S : |x\rangle |p\rangle \mapsto |x\rangle S(|p\rangle),$$

where S is a unitary map on \mathbb{C}^2 . The resulting change in the two-dimensional velocity tensor factor is analogous to a coin flip, so this tensor factor is often described as a “coin.” Since we are emphasizing physical interpretations in this paper, we will refer to it as velocity.^{37,38}

The QRW transition U is

$$U = A(I \otimes S).$$

In Ref. 10, the symmetric scattering matrix,

$$S = \begin{pmatrix} \cos \theta & i \sin \theta \\ i \sin \theta & \cos \theta \end{pmatrix}, \quad (1)$$

is used to derive the Dirac equation as a continuum limit of the QRW. History dependent QRW^{29–35} builds upon this basic model in two ways, which we classify as *particle* and *site* history dependence.

A. QRW with particle history dependence

Particle history refers to models in which a particle, as it scatters from a site, updates a finite history stored in extra internal degrees of freedom, without any effect on the site. The sites can be described as being *inert*. The history that the particle carries then influences its future scattering. In the standard QRW, this is a one-step history preserving only the memory of the velocity from the previous scattering. In general, this history can be a “filtered” version of the previous scatterings, preserved in some finite dimensional Hilbert space that is part of the particle’s internal state. The general Hilbert space in this case would be

$$\mathcal{H} = \ell^2(\mathbb{Z}) \otimes V_p,$$

for some finite-dimensional *particle history* Hilbert space V_p . Scattering at a site then affects the tensor factor V_p and the advection is an operation on the tensor factor $\ell^2(\mathbb{Z})$ controlled by the state of V_p .

We can fit most of the history dependent QRW that have been defined previously into this framework.

- (a) Several previous models maintain a history comprising a length N “tail” of previous velocities,^{29,30,32} recorded in N qubits appended to the QRW position. These are updated at each time step. The current velocity is chosen in a cyclic manner from the multiple (N) velocities. At time step k , where $1 \leq k \leq N$, that velocity is scattered by a scattering operator S_k , and the resulting velocity is used in the advection step.
- (b) Another approach is to construct a model which maintains a history comprising a length N “tail” of sites the particle has visited prior to visiting the current site.³¹ The step operation, i.e., the next right or left site, is determined in two stages: by flipping a coin (quantum) and then scattering the current velocity with a symmetric matrix that either “reflects” (reverses the previous velocity) or “transmits” (maintains the previous velocity), according to the coin outcome.

It is clear that case (b) can be mapped to case (a) as far as the history of previous sites is concerned, since a history of sites can be rephrased as a history of previous velocity values. We therefore only consider velocity memory. In the case (a) models,^{29,30,32} in order to store the history, the single velocity qubit of a QRW is replaced with multiple velocity qubits, $\bigotimes^N \mathbb{C}^2$. The Hilbert space for a QRW with particle history is then

$$\mathcal{H} = \ell^2(\mathbb{Z}) \otimes \bigotimes^N \mathbb{C}^2 = \ell^2(\mathbb{Z}) \otimes V_p.$$

Computational basis elements of the Hilbert space \mathcal{H} can be taken as

$$|x\rangle |p_1 \dots p_N\rangle,$$

where $|x\rangle$ is the position, and $|p_k\rangle \in \{|+1\rangle, |-1\rangle\}$, $1 \leq k \leq N$ hold the history of velocities.

The memory of the velocities is updated each time a velocity is used to determine the next site. The QRW transition in Brun, Carteret, and Ambainis’ model²⁹ and in Rohde, Brennen, and Gilchrist’s model³² (both described by case (a) above) scatters the velocity that happened N steps ago. Thus, it is convenient to split the scattering into two distinct stages as in Ref. 32, the first of which is the selection of the velocity to scatter or the *memory* operation and the other is the *ricochet* operation that refers to the interaction between the particle and the site. Since the site is inert, this is also described as the *self-interaction* of a particle. The operations in use are

- (i) Memory

$$M : |p_1 p_2 \dots p_N\rangle \mapsto |p_N p_1 p_2 \dots p_{N-1}\rangle.$$

- (ii) Ricochet, R_k , which depends on the velocity index k , through the selection of a k -dependent operator P_k acting on the corresponding k -th velocity.

$$R_k : |p_1 p_2 \dots p_N\rangle \mapsto |p_1 p_2 \dots p_{N-1}\rangle P_k(|p_N\rangle),$$

where P_k , $1 \leq k \leq N$, is the symmetric scattering matrix, parameterized by θ_k for the k -th velocity selection (all P_k are identical in Ref. 32),

$$P_k = \begin{pmatrix} \cos \theta_k & i \sin \theta_k \\ i \sin \theta_k & \cos \theta_k \end{pmatrix}.$$

(iii) Advection, A , which is the shift of the current position by the appropriate velocity value,

$$A : |x\rangle |p_1 p_2 \dots p_N\rangle \mapsto |x + p_N\rangle |p_1 p_2 \dots p_N\rangle.$$

The QRW transition in Ref. 32, let us call it U , is given as

$$U = (I \otimes M)A(I \otimes R).$$

And it is clear that a simple redefinition of A above to

$$\tilde{A} : |x\rangle |p_1 p_2 \dots p_N\rangle \mapsto |x + p_1\rangle |p_1 p_2 \dots p_N\rangle,$$

leads to

$$U = \tilde{A}(I \otimes MR).$$

The scattering operator would now be

$$S = MR.$$

So, we get

$$U = \tilde{A}(I \otimes S).$$

In Mc Gettrick’s model³¹ (described in case (b) above), the QRW transition is derived by a different method which is not achievable by simple cyclic rotation of coins, since it keeps a history of previous positions as it moves to the next one. Once phrased in terms of the current position and previous velocities, the Hilbert space on which this QRW is defined is

$$\mathcal{H} = \ell^2(\mathbb{Z}) \otimes \mathbb{C}^2 \otimes \bigotimes_{p=1}^N \mathbb{C}^2 = \ell^2(\mathbb{Z}) \otimes V_p.$$

Written in this form, we can designate the first \mathbb{C}^2 tensor factor of V_p as the “control” variable needed in determining the mode of scattering and the remaining \mathbb{C}^2 factors are the record of previous velocities. The computational basis elements of the Hilbert space \mathcal{H} are

$$|x\rangle |c\rangle |p_1 \dots p_N\rangle,$$

where $|x\rangle$ is the position, $|c\rangle \in \{|0\rangle, |1\rangle\}$ is the control state, and $|p_k\rangle \in \{|+1\rangle, |-1\rangle\}$, $1 \leq k \leq N$, hold the history of velocities.

The model studied in Ref. 31 uses a history with one previous velocity, $N = 1$, or equivalently one previous position (two positions in total). We give a simple generalization of the scattering scheme used there to an arbitrary number of velocities N . There is a memory operation as in the particle history dependence just considered, performing a circular shift of the velocity history. Then, there is a two-stage operation. Its first stage is the *ricochet-control* whose outcome determines the next ricochet mode. This ricochet-control is a simple symmetric scattering on the $|c\rangle$ factor (control variable). The next stage is the *ricochet* operation which is a controlled action by the control variable on the velocity part of the space to determine the velocity for the next move. The operations in use for this scheme are

(i) Memory

$$M : |c\rangle |p_1 p_2 \dots p_{N-1} p_N\rangle \mapsto |c\rangle |p_N p_1 \dots p_{N-2} p_{N-1}\rangle.$$

(ii) Ricochet-control

$$C : |c\rangle |p_1 p_2 \dots p_N\rangle \mapsto U_s(|c\rangle) |p_1 p_2 \dots p_N\rangle,$$

where U_s is a symmetric scattering matrix.

(iii) Ricochet

$$R : |c\rangle |p_1 p_2 \dots p_N\rangle \mapsto |c\rangle U_c(|p_1 \cdot p_2\rangle) |p_2 \dots p_N\rangle,$$

where $p_1 \cdot p_2$ is the product of $p_1, p_2 \in \{-1, +1\}$, so that the notation $|p_1 \cdot p_2\rangle$ is for the updated velocity in the first position, and U_c is a one-qubit controlled symmetric scattering matrix controlled by $|c\rangle$. In Ref. 31, both for $c = 0$ and $c = 1$, U_c is fixed to be either the identity (transmitting) or X (reflecting). The particular case of $N = 1$ for which the rules are given in Ref. 31, would have the term $|p_1 \cdot p_2\rangle$ in the above expression as $|p_1\rangle$.

(iv) Advection

$$A : |x\rangle |c\rangle |p_1 p_2 \dots p_N\rangle \mapsto |x + p_1\rangle |c\rangle |p_1 p_2 \dots p_N\rangle.$$

The transition U is

$$U = A(I \otimes RCM).$$

Writing the scattering as $S = RCM$, we again get the usual form for the transition,

$$U = A(I \otimes S).$$

At the end of his paper, Rosmanis³⁵ suggests that his continuous time quantum “snake walk” should have a discrete time version. Were we to construct it in the one-dimensional case, it would have some similarities with Mc Gettrick’s model:³¹ there is a string of adjacent locations comprising the head to tail of the “snake,” which would be treated as a particle history attached to the head position, and the “snake” can move its head, or its tail—this decision would be implemented with a four dimensional unitary transformation like the ricochet operation above, after which there would be the corresponding forward or backward, left or right, advection (“slither!”).

We have just described the idea of history associated to a particle, whether of its previous velocities or the sites it has visited, and one that we can loosely describe as the “experience” of the particle as it moves. This is recorded as an internal state of the particle, and we called it the *particle history*. In contrast, Camilleri, Rohde, and Twamley consider a different kind of history dependence in Ref. 34. This is the history as “experienced” by a site itself as it interacts with the particle during visits. This history is the result of the particle changing the state of a site when it scatters from it, and is recorded as an internal state of the site. In this sense, the sites are *active*. The state of each site then affects how the particle scatters at the site in the future. We refer to this retention of memory in a site as the *site history* and discuss it next (not to be confused with the history of the visited sites retained by a particle, constituting a part of the memory of a particle, i.e., the *particle history*, that we have discussed).

B. QRW with site history dependence

Just as in the particle history, one might like to retain the history of each site by an identical finite dimensional Hilbert space V_s per site. Assuming that there are N sites, i.e., the lattice has size N , this requires appending a space $\bigotimes^N V_s$ to keep track of the site history of every site. The QRW Hilbert space is then

$$\mathcal{H} = \ell^2(\mathbb{Z}_N) \otimes V_p \otimes \bigotimes^N V_s, \quad (2)$$

where V_p is the particle history Hilbert space as before.

In Ref. 34, there is a one qubit memory of visits for each site, indicating if the site has or not been visited in the past. Then, the QRW Hilbert space becomes

$$\mathcal{H} = \mathbb{C}^N \otimes \mathbb{C}^2 \otimes \bigotimes^N \mathbb{C}^2.$$

In this case, $V_p = \mathbb{C}^2$ and $V_s = \mathbb{C}^2$.

A position is given by an element of \mathbb{C}^N , with a computational basis composed of elements $|x\rangle$, $x \in \mathbb{Z}_N$. The velocity space V_p has the computational basis $\{|+1\rangle, |-1\rangle\}$. The record of a visit to

the site x is in the corresponding x -th tensor factor (qubit) of $\bigotimes^N \mathbb{C}^2$, with the basis of \mathbb{C}^2 in that factor taken as $|0\rangle$, denoting the “not visited” state and $|1\rangle$, denoting the “have visited” state. A basis element of the state of all the memory qubits is

$$|m_1 \dots m_N\rangle \in \bigotimes^N \mathbb{C}^2,$$

where m_x denotes the memory qubit corresponding to site $x \in \mathbb{Z}_N$. We, therefore, write a computational basis elements of the Hilbert space \mathcal{H} as

$$|x\rangle |p\rangle |m_1 \dots m_N\rangle.$$

The memory qubits are a record of the site history, hence are part of a different Hilbert space that cannot be grouped together with the particle history. The memory for a site is updated each time that site is visited, and the scattering of a particle at that site is controlled by the state of the corresponding memory qubit. Thus, unlike the case of particle history, scattering cannot be said to act on the “velocity space” independently of the other parts. The operations included in a transition are

- (i) Memory (controlled by $|x\rangle$),

$$M : |x\rangle |p\rangle |m_1 \dots m_N\rangle \mapsto |x\rangle |p\rangle |m_1 \dots m_{x-1}\rangle U_M(|m_x\rangle) |m_{x+1} \dots m_N\rangle,$$

where U_M is the symmetric scattering matrix, parameterized by θ_M (the memory strength),

$$U_M = \begin{pmatrix} \cos \theta_M & i \sin \theta_M \\ i \sin \theta_M & \cos \theta_M \end{pmatrix}. \quad (3)$$

- (ii) Ricochet, a controlled operation on the $|p\rangle$ factor, controlled by the qubit $|m_x\rangle$ (controlled by $|x\rangle$ as well),

$$R : |x\rangle |p\rangle |m_1 \dots m_x \dots m_N\rangle \mapsto |x\rangle U_{m_x}(|p\rangle) |m_1 \dots m_x \dots m_N\rangle,$$

where U_{m_x} , for $m_x = 0$, is the “balanced” walk,

$$U_0 = \frac{1}{\sqrt{2}} \begin{pmatrix} 1 & i \\ i & 1 \end{pmatrix}, \quad (4)$$

and for $m_x = 1$, it is the symmetric scattering matrix, parameterized by θ_b (the “back action”),

$$U_1 = \begin{pmatrix} \cos \theta_b & i \sin \theta_b \\ i \sin \theta_b & \cos \theta_b \end{pmatrix}. \quad (5)$$

- (iii) Advection

$$A : |x\rangle |p\rangle |m_1 \dots m_N\rangle \mapsto |x+p\rangle |p\rangle |m_1 \dots m_N\rangle.$$

The QRW transition in Ref. 34 is given as composition U ,

$$U = ARM.$$

Since R and M are non-identity on every factor, we use the term “generalized scattering” denoted \tilde{S} , to be $\tilde{S} = RM$. Then, the transition becomes

$$U = A\tilde{S}.$$

Notice that U_0 is $U_1(\theta_b = \pi/4)$; while it is natural for these scattering matrices to be symmetric, since that encodes parity invariance (left-right symmetry), the obvious generalization is to simply use two different values of θ in the S matrix of Eq. (1) for the two cases. Moreover, since θ goes to the (effective) mass in the continuum limit,¹⁰ these choices have a physical meaning. Notice also that the site history comprises a “parallel” memory in the sense that since the particle position is a superposition of sites at each timestep, the entire “checker-board” of site history is now entangled with the position and particle history. A natural interpretation of these *active* sites is as a lattice of

immobile particles, a discrete background quantum field,³⁹ that interacts with the hopping particle of the QRW. We note, in passing, that this is essentially a quantum mechanical version of the classical Lorentz (or wind-tree) lattice gas model introduced in Ref. 40. Furthermore, since there is no necessary parity invariance in the interaction of the moving particle with an immobile particle, U_M may be generalized to an arbitrary unitary matrix, not necessarily symmetric.

This *active* site interpretation suggests a multi-particle picture in which one is concerned with the presence or absence of particles at all the sites simultaneously, viewing the checker-board as the state of a set of static particles, rather than keeping track of the position and velocity of a single particle. The evolution is local in the sense that only when a hopping particle arrives at a site can it bounce off the static particle and go to one of the neighbors, affecting the site and itself. Notice that in the QRW with site history example just given, the Hilbert space dimension grows exponentially, as $N2^{N+1}$. This is not the recipe for a useful Hilbert space with a nice topology; rather, one might want to control the Hilbert space dimension. These ideas are incorporated in a multi-particle generalization of the types of QRW we have just discussed: QLGA,^{10,36} which we describe in Sec. III.

C. Non-reversing and non-repeating QRW on a two-dimensional lattice

Proctor *et al.* construct a QRW on a two-dimensional lattice, with a special class of scattering operators that have a memory in the sense that they either prevent the walker from going in the same direction for two consecutive steps (*non-repeating*) or ensure that the site just visited is not visited again at the next step (*non-reversing*).³³ In this section, we show that this QRW can also be realized as a QLGA model.

The lattice is $\mathbb{Z} \times \mathbb{Z}$, so positions are denoted by $|x\rangle|y\rangle \in \ell^2(\mathbb{Z} \times \mathbb{Z})$, and velocities take values in a 4-dimensional vector space $V_p = \mathbb{C}^4$ in which the basis elements $|p\rangle \in \{|w\rangle, |e\rangle, |s\rangle, |n\rangle\}$ signify the velocity directions west, east, south, and north, respectively. The Hilbert space for this case is

$$\mathcal{H} = \ell^2(\mathbb{Z} \times \mathbb{Z}) \otimes \mathbb{C}^4 = \ell^2(\mathbb{Z} \times \mathbb{Z}) \otimes V_p,$$

with typical basis elements written as $|x\rangle|y\rangle|p\rangle$.

A QRW evolves through two consecutive unitary actions on its state as in the original one-dimensional QRW.

(i) Advection

$$\begin{aligned} A : |x\rangle|y\rangle|w\rangle &\mapsto |x-1\rangle|y\rangle|w\rangle, \\ |x\rangle|y\rangle|e\rangle &\mapsto |x+1\rangle|y\rangle|e\rangle, \\ |x\rangle|y\rangle|s\rangle &\mapsto |x\rangle|y-1\rangle|s\rangle, \\ |x\rangle|y\rangle|n\rangle &\mapsto |x\rangle|y+1\rangle|n\rangle. \end{aligned}$$

(ii) Scattering

$$S : |p\rangle \mapsto U_b(|p\rangle),$$

where U_b is a unitary map on \mathbb{C}^4 . When the diagonal of U_b is all 0s, this is called the *non-repeating* scattering operator designated $C^{-\text{rep}}$. It can also be taken to be of the form $C^{-\text{rev}} = C^{-\text{rep}}J$, where J , in the ordered basis $\{|w\rangle, |e\rangle, |s\rangle, |n\rangle\}$, is

$$J = \begin{pmatrix} 0 & 1 & 0 & 0 \\ 1 & 0 & 0 & 0 \\ 0 & 0 & 0 & 1 \\ 0 & 0 & 1 & 0 \end{pmatrix}.$$

$C^{-\text{rev}}$ is called the *non-reversing* scattering operator.

The QRW transition U is

$$U = A(I \otimes S).$$

This model of a QRW is notable besides being two-dimensional, as an example of a QRW that displays some memory simply by the choice of the scattering matrix. To prepare for the construction of a QLGA for this model, we introduce two-dimensional QLGA and reemphasize how a scattering matrix of a QRW embeds in a QLGA scattering rule.

As an additional note, an interesting model that we do not explicitly describe here is Rosmanis' one-dimensional quantum "snake" model.³⁵ Were a discrete time version constructed, it could be encoded as a two-dimensional QRW model with the two position components representing the location of the head and the tail, and the particle history tensor factor encoding the positions of the "body" of the "snake." It would, of course, have different constraints than Proctor *et al.*'s model.

III. QLGA

A QLGA is a model of particles on a lattice propagating and scattering by interactions when they arrive at lattice sites (or cells).^{10,36} Each site/cell has a set of neighboring cells and the particles are exchanged with those neighbors.

We consider the QLGA model as formulated in Ref. 36. Take the lattice of cells to be \mathbb{Z} . Each cell can be occupied by multiple particles, and each particle has a state which is a vector in a *subcell* Hilbert space. Let us say that the internal states of particle j , $1 \leq j \leq d$, are elements of the subcell Hilbert space W_j , so the cell Hilbert space is $W = \bigotimes_{j=1}^d W_j$. In the propagation stage of the evolution, a particle with internal state j (or equivalently, that occupies subcell state j) hops to the corresponding subcell j of a designated neighboring cell, $e_j \in \mathbb{Z}$ away. The collection of such neighbors is specified by the *neighborhood* $\mathcal{E} = \{e_1, e_2, \dots, e_d\} \subset \mathbb{Z}$, of cardinality $|\mathcal{E}| = d$.

Let \mathcal{B} be a basis of the cell Hilbert space W expressed in terms of some orthonormal basis \mathcal{B}_j of W_j ,

$$\mathcal{B} = \{|b\rangle = \bigotimes_{j=1}^d |b_j\rangle : |b_j\rangle \in \mathcal{B}_j\}.$$

If we index the Hilbert space of cell x as W^x , and the corresponding basis \mathcal{B}^x , then, we can carry this index into the subcell basis and write

$$\mathcal{B}^x = \{|b^x\rangle = \bigotimes_{j=1}^d |b_j^x\rangle : |b_j^x\rangle \in \mathcal{B}_j\}.$$

The Hilbert space on which the QLGA evolves has as its basis elements infinite tensor products (over cell indices) of elements of \mathcal{B} (basis of the cell Hilbert space). These sequences, called the *finite configurations*, consist of a finite region of cells in *active* states immersed in a background of cells in a fixed *quiescent* state. For our purposes, we take the quiescent state to be $|q\rangle = \bigotimes^d |0\rangle$, while the rest are active. We write the *finite configurations* basis of the QLGA Hilbert space, the *Hilbert space of finite configurations*, as

$$C = \left\{ \bigotimes_{x \in \mathbb{Z}} |b^x\rangle : |b^x\rangle \in \mathcal{B}^x, \text{ all but finite number of the } |b^x\rangle = |q\rangle \right\}.$$

Explicitly, each $|b^x\rangle = \bigotimes_{j=1}^d |b_j^x\rangle$, where each $|b_j^x\rangle \in \mathcal{B}_j$ is a basis element of the subcell space W_j . C is thus orthonormal under the inner product induced from W_j . This definition of the finite configurations basis, C , ensures that it is countable, so that the Hilbert space of finite configurations is separable (in the topological sense). This Hilbert space naming convention is adopted from Ref. 41; in the mathematics literature, it is called an *incomplete infinite tensor product* space, as in Refs. 42 and 43.

The QLGA evolves in two unitary steps

- (i) *Advection*, σ , that shifts the appropriate subcell value to the corresponding neighbor,

$$\sigma : \bigotimes_{x \in \mathbb{Z}} \bigotimes_{j=1}^d |b_j^x\rangle \mapsto \bigotimes_{x \in \mathbb{Z}} \bigotimes_{j=1}^d |b_j^{x+e_j}\rangle. \tag{6}$$

- (ii) *Scattering*, \hat{S} , which acts on each cell by a local unitary scattering map $S : W \rightarrow W$ that fixes the quiescent state, i.e., $S(|q\rangle) = |q\rangle$,

$$\hat{S} : \bigotimes_{x \in \mathbb{Z}} \bigotimes_{j=1}^d |b_j^x\rangle \mapsto \bigotimes_{x \in \mathbb{Z}} S\left(\bigotimes_{j=1}^d |b_j^x\rangle\right). \tag{7}$$

Each time step, the current state of the QLGA is mapped unitarily to the next by its *global evolution*, \mathcal{G} ,

$$\mathcal{G} = \sigma \hat{S}.$$

This multi-particle model bears essentially the same relationship to a QRW as a second-quantized model does to a first-quantized one-particle model: it keeps track of the presence or absence of particles at all the sites rather than the position of a single particle. The underlying structure is an incomplete tensor product space and the evolution is defined by two operations. One is advection (propagation) which is completely specified by cell decomposition into subcells and the corresponding neighborhood elements, and the other is scattering that happens at each site and is the sole interaction amongst the particles. Note that in this interpretation, the active site model described in Sec. II B whose Hilbert space is given by Eq. (2) is a hybrid between first and second quantized representations. The position of the particle has a first quantized representation, while the labels of the active sites have a second quantized representation. This already suggests that a fully second quantized picture, or QLGA, may have utility for QRW with history dependence, and it is this reformulation we turn to in Sec. IV.

IV. QRW AS QLGA

In general, a discrete-time QRW is a QLGA restricted to the one-particle subspace. The simplest example of this is the original QLGA constructed by Meyer.¹⁰ We begin this section with a description of this model in the current context³⁶ and show how it restricts to a QRW.

Let us recall the example QLGA of Ref. 10. The cell Hilbert space is $W = W_1 \otimes W_2 = \mathbb{C}^2 \otimes \mathbb{C}^2$, with two subcells; each subcell space is a qubit, $W_1 = W_2 = \mathbb{C}^2$. The neighborhood is $\mathcal{E} = \{e_1 = +1, e_2 = -1\}$ (the neighborhood elements e_1, e_2 seem opposite to the respective movement directions of the subcell elements, but this is required by the expression for advection σ in Eq. (6)). The local scattering operator S , in the ordered basis of W , $\{|00\rangle, |01\rangle, |10\rangle, |11\rangle\}$, is

$$S = \begin{pmatrix} 1 & 0 & 0 & 0 \\ 0 & ie^{i\alpha} \sin \theta & e^{i\alpha} \cos \theta & 0 \\ 0 & e^{i\alpha} \cos \theta & ie^{i\alpha} \sin \theta & 0 \\ 0 & 0 & 0 & e^{i\beta} \end{pmatrix}. \tag{8}$$

S conserves particle number—since both $|00\rangle$ and $|11\rangle$ are eigenvectors, while the middle 2×2 block acts on the subspace $\text{Span}\{|01\rangle, |10\rangle\}$. This means that an evolution that begins in the one-particle sector will remain in the one-particle sector, a fact that underpins the interpretation of discrete time quantum random walks as a subclass of the dynamics of QLGA. The time evolution is illustrated in Fig. 1.

Now let us interpret the state $|01\rangle$ at cell x as the walker in a QRW at site x moving to the right, i.e., in state $|x\rangle | +1\rangle$ at the end of the scattering step. In the same way, interpret the state $|10\rangle$ at cell x as the walker in a QRW at site x moving to the left, i.e., in state $|x\rangle | -1\rangle$ at the end of the scattering step.

Assume that the state of the QLGA is such that it is quiescent everywhere except at one cell x where it is $|01\rangle$, i.e., it is in the one-particle sector and is given by

$$|\psi\rangle = \cdots |00\rangle |00\rangle \underbrace{|01\rangle}_x |00\rangle |00\rangle \cdots$$

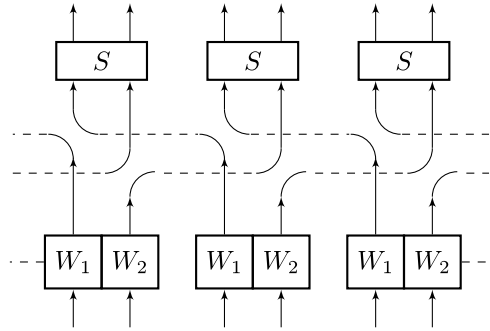


FIG. 1. QLGA model of the standard QRW and of QRW with particle history. The snaking arrows show the advection or “hop” of a particle from a subcell of a cell to the corresponding neighbor (left tensor factor goes to the left neighbor and right tensor factor to the right neighbor). These particles coming from the neighbors then collide or scatter in the S block.

Then, after the advection step, it is

$$\sigma |\psi\rangle = \cdots |00\rangle |00\rangle |00\rangle \underbrace{|01\rangle}_{x+1} |00\rangle |00\rangle \cdots .$$

Similarly, if the initial state is

$$|\psi\rangle = \cdots |00\rangle |00\rangle \underbrace{|10\rangle}_x |00\rangle |00\rangle \cdots ,$$

then, after the advection step, it is

$$\sigma |\psi\rangle = \cdots |00\rangle \underbrace{|10\rangle}_{x-1} |00\rangle |00\rangle |00\rangle \cdots .$$

The scattering operator \hat{S} in Eq. (7) acts locally on each cell by S , and invariantly on the subspace $\text{Span}\{|01\rangle, |10\rangle\}$, the 2×2 block representing the local scattering that preserves the one-particle sector. Hence, the QRW is captured completely by the one-particle sector of a QLGA, the space spanned by $|\psi\rangle$ of the form above, if the local scattering operator S is as shown in Eq. (8).

The basic ingredients of the QRW as a restricted QLGA have been demonstrated by this simple example. Now that we have shown that a standard QRW model can be embedded in a QLGA, we proceed to the more complicated models with history.

A. QRW with particle history dependence as a QLGA

We treat the Rohde, Brennen, and Gilchrist model³² described in Sec. II A (a). In this model, the particle retains a length N history of velocities, and cyclically chooses the velocity to scatter. The scattering matrix is a fixed symmetric matrix. Brun, Carteret, and Ambainis’ models^{29,30} using N different scattering matrices, one for each velocity (Sec. II A (a)), and Mc Gettrick’s model,³¹ with a record of N previous sites (Sec. II A (b)), can be constructed similarly.

We need to expand the Hilbert space of the subcells to include the history of velocities. Note that this history is specific to the walker, and must hop with the walker. The cell Hilbert space thus must be $W = W_1 \otimes W_2$, where $W_1 = W_2 = \mathbb{C}^2 \otimes \bigotimes^N \mathbb{C}^2$. The first tensor factor of each subcell records the presence or absence of a left (respectively, right) moving walker, and the remaining N additional factors are a record of the history of velocities, so the history of velocities hops with the walker. Note that this keeps a velocity history of length $N + 1$ instead of N (including the current velocity encoded in the first factor). The neighborhood is still $\mathcal{E} = \{e_1 = +1, e_2 = -1\}$. Fig. 1 applies to this case as well.

The local scattering operator $S : W \rightarrow W$ needs to account for the current dynamics as in the QRW without memory above, but must also do the book-keeping required to keep the history of the velocities. We can describe S explicitly in terms of a local ricochet operator and a local memory operator. Write a basis element of W_1 as $|l\rangle |u_1 \dots u_N\rangle$, where $|l\rangle$ is the existence of a left-moving

particle state, and $|u_1 \dots u_N\rangle$ is the velocity history of that left moving state. Each $|u_i\rangle$ is $|+1\rangle$ or $|-1\rangle$, with $|+1\rangle$ representing a previous right move, and $|-1\rangle$ representing a previous left move. Similarly, for W_2 , the analogous data are encoded in the basis element $|r\rangle|v_1 \dots v_N\rangle$. A state of the cell can be written as

$$|l\rangle|u_1 \dots u_N\rangle|r\rangle|v_1 \dots v_N\rangle \in W_1 \otimes W_2, \quad (9)$$

which, under rearrangement, is

$$|lr\rangle|u_1 \dots u_N\rangle|v_1 \dots v_N\rangle.$$

To complete the Hilbert space description, it behooves us to specify the quiescent state. Let us define it to be

$$|q\rangle = |00\rangle|-1 \dots -1\rangle|+1 \dots +1\rangle.$$

We describe the scattering operation on the basis elements written in the form of Eq. (9). The ricochet operator R acts as

$$\begin{aligned} R : \quad W_1 \otimes W_2 &\longrightarrow W_1 \otimes W_2, \\ |00\rangle|u_1 \dots u_N\rangle|v_1 \dots v_N\rangle &\longmapsto |00\rangle|u_1 \dots u_N\rangle|v_1 \dots v_N\rangle, \\ |11\rangle|u_1 \dots u_N\rangle|v_1 \dots v_N\rangle &\longmapsto |11\rangle|u_1 \dots u_N\rangle|v_1 \dots v_N\rangle, \\ |01\rangle|u_1 \dots u_N\rangle|v_1 \dots v_N\rangle &\longmapsto |01\rangle|u_1 \dots u_N\rangle|v_1 \dots v_{N-1}\rangle U_b(|v_N\rangle), \\ |10\rangle|u_1 \dots u_N\rangle|v_1 \dots v_N\rangle &\longmapsto |10\rangle|u_1 \dots u_{N-1}\rangle U_b(|u_N\rangle)|v_1 \dots v_N\rangle, \end{aligned}$$

where U_b is a symmetric scattering matrix of the kind in Eq. (1). The memory operator M acts as

$$\begin{aligned} M : \quad W_1 \otimes W_2 &\longrightarrow W_1 \otimes W_2, \\ |00\rangle|u_1 \dots u_N\rangle|v_1 \dots v_N\rangle &\longmapsto |00\rangle|u_1 \dots u_N\rangle|v_1 \dots v_N\rangle, \\ |11\rangle|u_1 \dots u_N\rangle|v_1 \dots v_N\rangle &\longmapsto |11\rangle|u_1 \dots u_N\rangle|v_1 \dots v_N\rangle, \\ |01\rangle|u_1 \dots u_N\rangle|v_1 \dots v_{N-1}, +1\rangle &\longmapsto |01\rangle|u_1 \dots u_N\rangle|+1, v_1 \dots v_{N-1}\rangle, \\ |01\rangle|u_1 \dots u_N\rangle|v_1 \dots v_{N-1}, -1\rangle &\longmapsto |10\rangle|+1, v_1 \dots v_{N-1}\rangle|u_1 \dots u_N\rangle, \\ |10\rangle|u_1 \dots u_{N-1}, +1\rangle|v_1 \dots v_N\rangle &\longmapsto |01\rangle|v_1 \dots v_N\rangle|-1, u_1 \dots u_{N-1}\rangle, \\ |10\rangle|u_1 \dots u_{N-1}, -1\rangle|v_1 \dots v_N\rangle &\longmapsto |10\rangle|-1, u_1 \dots u_{N-1}\rangle|v_1 \dots v_N\rangle. \end{aligned}$$

Finally, the local scattering operator S is

$$S = MR.$$

In the absence of a particle in a cell, the ricochet and memory operations leave unperturbed both the particle and the velocity registers. In particular, the quiescent state is preserved by the scattering, as it should be. Notice that this formulation suggests a generalization with a different scattering operator that still conserves the particle number (only allows states of this form), but, as a result of scattering at the site, alters the internal (velocity) state. A basis state in the one-particle sector of a QLGA corresponds to $|l^x, r^x\rangle = |10\rangle$ or $|01\rangle$ at exactly one cell x (the superscript is the cell index), and $|l^y, r^y\rangle = |00\rangle$ for all $y \neq x \in \mathbb{Z}$. For example, let us assume that the number state is $|l^x, r^x\rangle = |01\rangle$, which means that the left moving number state $|l^x\rangle = |0\rangle$ is the ‘‘particle-absent’’ state, whereas the right moving number state $|r^x\rangle = |1\rangle$ is the ‘‘particle-present’’ state. In the above dynamics, the state of the particle-absent state is unaffected by the ricochet operation. But the ricochet can be chosen so that the internal (velocity) state $|u_1^x \dots u_N^x\rangle$ associated to this left moving particle-absent state changes as it scatters from another right moving particle-absent ($|0\rangle$) or particle-present ($|1\rangle$) state, as long as the quiescent state is preserved by that ricochet. Such a change of internal (velocity) state then propagates as an ‘‘external field,’’ creating vacuum-like modes that propagate independently of the particle-present state.

B. QRW with site history dependence as a QLGA

In this subsection, we show that it is also possible to capture models with site history dependence in a natural way as QLGA models. Camilleri, Rohde, and Twamley’s QRW with site history³⁴

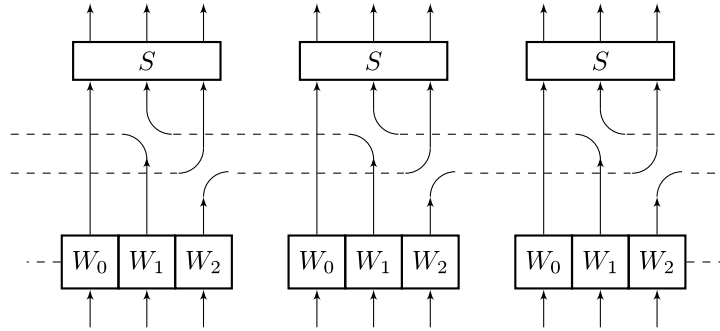


FIG. 2. A QLGA model of QRW with site history.

was described in Sec. II B. This model maintains a history of visits to each site by the particle by keeping a qubit that records whether the site has been visited or not by acting on the qubit, each time a site is visited, through a symmetric scattering matrix whose “memory strength” is the parameter of the scattering matrix. Based on the record of a previous visit or not, the particle scatters differently through a controlled scattering matrix: scattering in a balanced manner without a prior visit, and scattering by a “back action” scattering matrix if there has been a visit to the site. For a finite lattice of size N , this requires a Hilbert space of dimension $N2^{N+1}$ to capture the position, velocity, and the record of visits to each node. Once again we note that this Hilbert space is a hybrid between first and second quantized representations.

The QLGA model encodes, in the cell Hilbert space, in addition to the velocity of the particle, the memory of whether each site has been visited in the past. The cell Hilbert space therefore includes one more qubit than does the original QLGA we described at the beginning of this section.^{10,36} A cell has three subcells, and each subcell space is $W_0 = W_1 = W_2 = \mathbb{C}^2$, so the cell Hilbert space is $W = \mathbb{C}^2 \otimes \mathbb{C}^2 \otimes \mathbb{C}^2$. Two of the subcells encode the walker’s state as in the original QLGA, and the third subcell records the memory of visits to that site. Recall that the history of visits to a site belongs to the site itself; it does not hop with the walker. Thus, if we choose the subcell W_0 to be the memory qubit, then we need to choose the neighborhood as $\mathcal{E} = \{e_0 = 0, e_1 = +1, e_2 = -1\}$, ensuring that subcell W_0 does not shift. Advection effectively only acts on $W_1 \otimes W_2$, shifting W_1 to the left and W_2 to the right. We can choose the quiescent state as

$$|q\rangle = |000\rangle.$$

The local scattering operator $S : W \rightarrow W$ accounts for the current dynamics as before, and updates the memory subcell W_0 based on the state of $W_1 \otimes W_2$. This is illustrated in Fig. 2.

As in the previous case, such a local scattering can be defined, and split into memory and ricochet operators. Write a basis element of W as $|m\rangle |l\rangle |r\rangle$, where $|l\rangle \in W_1$ is the presence of a left moving particle and $|r\rangle \in W_2$ is the presence of a right moving particle, and $|m\rangle \in W_0$ is the memory state, where $|0\rangle$ means “not visited” and $|1\rangle$ means “have visited.” Then, the memory operator acts by

$$\begin{aligned} M : W_0 \otimes W_1 \otimes W_2 &\rightarrow W_0 \otimes W_1 \otimes W_2, \\ |m\rangle |0\rangle |0\rangle &\mapsto |m\rangle |0\rangle |0\rangle, \\ |m\rangle |1\rangle |1\rangle &\mapsto |m\rangle |1\rangle |1\rangle, \\ |m\rangle |0\rangle |1\rangle &\mapsto U_M(|m\rangle) |0\rangle |1\rangle, \\ |m\rangle |1\rangle |0\rangle &\mapsto U_M(|m\rangle) |1\rangle |0\rangle, \end{aligned}$$

where U_M is as in Eq. (3).

Now we describe the action of local ricochet operator R on the basis of W .

$$\begin{aligned} R : W_0 \otimes W_1 \otimes W_2 &\rightarrow W_0 \otimes W_1 \otimes W_2, \\ |0\rangle |l\rangle |r\rangle &\mapsto |0\rangle R_0(|l\rangle |r\rangle), \\ |1\rangle |l\rangle |r\rangle &\mapsto |1\rangle R_1(|l\rangle |r\rangle), \end{aligned}$$

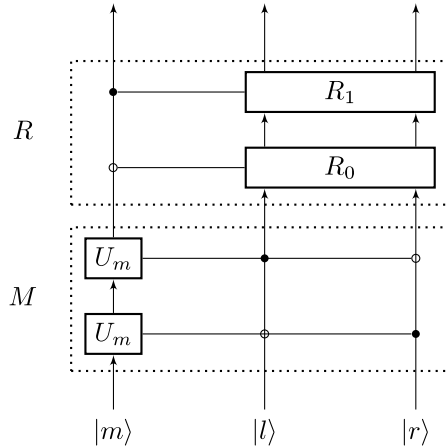


FIG. 3. Scattering operator S as a sequence of controlled operations M and R .

where R_0 is the local “balanced” ricochet operator (based on U_0 in Eq. (4)), and in the basis $\{|00\rangle, |01\rangle, |10\rangle, |11\rangle\}$ of $W_1 \otimes W_2$ is

$$R_0 = \begin{pmatrix} 1 & 0 & 0 & 0 \\ 0 & 1/\sqrt{2} & i/\sqrt{2} & 0 \\ 0 & i/\sqrt{2} & 1/\sqrt{2} & 0 \\ 0 & 0 & 0 & 1 \end{pmatrix},$$

and the “back action” ricochet operator, R_1 (based on U_1 in Eq. (5)), is

$$R_1 = \begin{pmatrix} 1 & 0 & 0 & 0 \\ 0 & \cos \theta_b & i \sin \theta_b & 0 \\ 0 & i \sin \theta_b & \cos \theta_b & 0 \\ 0 & 0 & 0 & 1 \end{pmatrix}.$$

Finally, the scattering operator S is

$$S = RM.$$

Fig. 3 shows S as a sequence of controlled operations M and R .

Thus, the QLGA model elegantly and efficiently captures the structure and dynamics of QRW with site dependent history. The Hilbert space has countable dimension even though the lattice and hence the particle’s position are unbounded. This contrasts with the original QRW with site dependent history, in which the Hilbert space dimension grows exponentially with the size of the lattice. Moreover, the QLGA model provides the physical interpretation of a background quantum field interacting at every site with the particle.

C. Two-dimensional QLGA model of the non-reversing and non-repeating QRW

We generalize the one-dimensional QLGA model to a two-dimensional lattice, and show how this captures the non-reversing and non-repeating QRW. The lattice is $\mathbb{Z} \times \mathbb{Z}$. Since a particle can go in four directions, we need a neighborhood of four elements corresponding to the directions of the moves. Thus, the neighborhood is $\mathcal{E} = \{e_1 = (1,0), e_2 = (-1,0), e_3 = (0,1), e_4 = (0,-1)\}$, corresponding to the directions $|e\rangle, |w\rangle, |n\rangle, |s\rangle$, respectively. Each cell, instead of consisting of two copies of \mathbb{C}^2 recording the presence of a left or right moving particle, now has four copies of \mathbb{C}^2 , comprising the cell Hilbert space $W = W_1 \otimes W_2 \otimes W_3 \otimes W_4$, with four subcells. Each subcell space is $W_1 = W_2 = W_3 = W_4 = \mathbb{C}^2$ so that the basis elements $|1000\rangle, |0100\rangle, |0010\rangle, |0001\rangle$ represent the presence of a $|w\rangle, |e\rangle, |s\rangle, |n\rangle$ moving particle.

The basis elements of the Hilbert space of the QLGA are thus

$$\bigotimes_{(x,y) \in \mathbb{Z} \times \mathbb{Z}} \bigotimes_{j=1}^4 |b_j^{(x,y)}\rangle,$$

where $\bigotimes_{j=1}^4 |b_j^{(x,y)}\rangle$ is the basis element of cell Hilbert space of the cell $(x, y) \in \mathbb{Z} \times \mathbb{Z}$, such that $|b_j^{(x,y)}\rangle \in \{|0\rangle, |1\rangle\} \subset W_j$. As defined above, W_j is the Hilbert space of the subcell j of the cell (x, y) . Let the quiescent state be

$$|q\rangle = |0000\rangle.$$

The evolution of a QLGA, as in the one-dimensional lattice case, has two stages

- (i) *Advection*, σ , that shifts the appropriate subcell value to the corresponding neighbor,

$$\sigma : \bigotimes_{(x,y) \in \mathbb{Z} \times \mathbb{Z}} \bigotimes_{j=1}^4 |b_j^{(x,y)}\rangle \mapsto \bigotimes_{(x,y) \in \mathbb{Z} \times \mathbb{Z}} \bigotimes_{j=1}^4 |b_j^{(x,y)+e_j}\rangle.$$

- (ii) *Scattering*, \hat{S} , which acts by a local unitary map $S : W \rightarrow W$, on each cell,

$$\hat{S} : \bigotimes_{(x,y) \in \mathbb{Z} \times \mathbb{Z}} \bigotimes_{j=1}^4 |b_j^{(x,y)}\rangle \mapsto \bigotimes_{(x,y) \in \mathbb{Z} \times \mathbb{Z}} S \left(\bigotimes_{j=1}^4 |b_j^{(x,y)}\rangle \right).$$

The particular case we are considering requires that S should mimic the action of U_b in Sec. II C above, so it is sufficient to take S to be a block diagonal matrix in the standard basis of $W = \bigotimes^4 \mathbb{C}^2$ such that it is exactly U_b (either $C^{-\text{rep}}$ or $C^{-\text{rev}}$ as the case may be) acting on the block spanned by the ordered basis elements $\{|1000\rangle, |0100\rangle, |0010\rangle, |0001\rangle\}$, and identity on the rest.

The QLGA global evolution \mathcal{G} is

$$\mathcal{G} = \sigma \hat{S}.$$

This example illustrates a two-dimensional version of a QRW as a QLGA. We now see that at a local level, the QLGA resource requirement, i.e., the cell Hilbert space dimension, is exponentially dependent on the dimension of the QRW lattice. If d is the QRW lattice dimension, we need $2d$ qubits for a cell. This is fixed for a given lattice, and hence not a concern. More importantly, even globally, the QLGA Hilbert space’s dimension (dimension of the Hilbert space of finite configurations) is always countable by construction.

V. CONCLUSION

In this paper, we examined several history dependent QRW and showed how they fit into a multi-particle model of QLGA. This required us to classify the history dependent QRW into two categories: QRW with dependence on particle history and QRW with dependence on site history. Doing so demonstrated that history dependent QRW are naturally interpretable as a multi-particle QLGA restricted to the one-particle sector interacting with a background of static particles. The presence of a single particle, moving in a specific direction, is encoded in a product of qubits at each site, one for each allowed velocity. The same number of additional tensor factors encodes the memory state of the moving particle (or particles, since the model generalizes immediately to multiple moving particles with memory), while yet another tensor factor encodes the memory state of the site. The latter tensor factors constitute what is essentially a background quantum field,³⁹ with which the moving particle interacts. This identification immediately suggested several generalizations to the history dependent QRW from which we started and demonstrated that the site history models³⁴ are quantum versions of well-studied classical models.⁴⁰

Moreover, the construction of QLGA we have used³⁶ also addresses one of the major concerns about the exponential growth of the dimension of Hilbert space in the model of QRW in Ref. 34.

We gave explicit constructions of QLGA equivalent to the main examples in each category of history dependent QRW. This includes two-dimensional models, e.g., the QLGA described in the last subsection is equivalent to QRW on a two-dimensional lattice that are non-reversing (not revisiting the immediately previous site) or non-repeating (not repeating a hop in the same direction).³³

The physical interpretations of various history dependent QRW that become natural when the model is identified as a QLGA seems likely to provide at least heuristic, if not analytic, explanations for numerically observed behaviors like “anomalous” quantum diffusion and decoherence/transition to classicality. These improved understandings may motivate construction of novel quantum algorithms, possibly analogous to classical algorithms based upon history dependent random walks. Furthermore, since QLGA models are not restricted to the single (moving) particle sector, they provide a natural framework within which to extend history dependent QRW to multiple interacting walkers. History *independent* QRW with multiple particles are capable of universal quantum computation,⁴⁴ so there are likely to be quantum algorithmic applications for multi-particle sectors of QLGA encoding history dependent walkers.

The QLGA generalization of a QRW also raises the question whether every QRW can be so described, particularly if the site history model were to include a stronger notion of self-avoidance. We would then possibly enter the QCA regime and this deserves investigation. Since QCA is the most general model of many body systems based on neighborhood interactions, this would also be a bridge to understanding deeper physics than that of particles colliding on a lattice.

ACKNOWLEDGMENTS

This work has been partially supported by the Air Force Office of Scientific Research as part of the Transformational Computing in Aerospace Science and Engineering Initiative under Grant No. FA9550-12-1-0046 and by the National Science Foundation under Award PHY-0955518.

- ¹ K. Pearson, “The problem of the random walk,” *Nature* **72**, 294 (1905).
- ² Raleigh, “On the resultant of a large number of vibrations of the same pitch and of arbitrary phase,” *Philosophical Magazine* **10**, 73–78 (1880).
- ³ Raleigh, “The problem of the random walk,” *Nature* **72**, 318 (1905).
- ⁴ L. Bachelier, “Théorie de la spéculation,” *Annales Scientifiques de l’École Normale Supérieure* **3**, 21–86 (1900).
- ⁵ G. Pólya, “Wahrscheinlichkeitstheoretisches über die ‘Irrfahrt,’” *Mitteilungen der Physikalischen Gesellschaft Zürich* **19**, 75–86 (1919).
- ⁶ G. Pólya, “Quelques problèmes de probabilité se rapportant à la ‘promenade au hasard,’” *l’Enseignement Mathématique* **20**, 444–445 (1919).
- ⁷ N. Metropolis and S. Ulam, “The Monte Carlo method,” *J. Am. Stat. Assoc.* **44**, 335–341 (1949).
- ⁸ C. H. Papadimitriou, “On selecting a satisfying truth assignment,” in *Proceedings of the 32nd Annual Symposium on Foundations of Computer Science* (1991), pp. 163–169.
- ⁹ U. Schöning, “A probabilistic algorithm for k -SAT and constraint satisfaction problems,” in *Proceedings of the 40th Annual Symposium on Foundations of Computer Science* (1999), pp. 410–414.
- ¹⁰ D. A. Meyer, “From quantum cellular automata to quantum lattice gases,” *J. Stat. Phys.* **85**, 551–574 (1996).
- ¹¹ A. Ambainis, E. Bach, A. Nayak, A. Vishwanath, and J. Watrous, “One-dimensional quantum walks,” *Proceedings of the 33rd Annual ACM Symposium on the Theory of Computing*, STOC ’01 (2001), pp. 37–49.
- ¹² B. M. Boghosian and W. Taylor, “Simulating quantum mechanics on a quantum computer,” *Phys. D–Nonlinear Phenom.* **120**, 30–42 (1998).
- ¹³ L. Grover, “A fast quantum mechanical algorithm for database search,” in *Proceedings of the 28th Annual ACM Symposium on the Theory of Computing* (1996), pp. 212–219.
- ¹⁴ N. Shenvi, J. Kempe, and K. B. Whaley, “Quantum random walk search algorithm,” *Phys. Rev. A* **67**, 052307-1–052307-11 (2003).
- ¹⁵ A. Ambainis, J. Kempe, and A. Rivosh, “Coins make quantum walks faster,” in *Proceedings of the 16th ACM-SIAM Symposium on Discrete Algorithms* (2005), pp. 1099–1108.
- ¹⁶ E. Farhi and S. Gutmann, “Analog analogue of a digital quantum computation,” *Phys. Rev. A* **57**, 2403–2406 (1998).
- ¹⁷ A. M. Childs and J. Goldstone, “Spatial search by quantum walk,” *Phys. Rev. A* **70**, 022314-1–022314-11 (2004).
- ¹⁸ A. M. Childs and J. Goldstone, “Spatial search and the Dirac equation,” *Phys. Rev. A* **70**, 042312-1–042312-5 (2004).
- ¹⁹ E. Farhi, J. Goldstone, and S. Gutmann, “A quantum algorithm for the Hamiltonian NAND tree,” *Theory Comput.* **4**, 169–190 (2008).
- ²⁰ A. M. Childs, R. Cleve, E. Deotto, E. Farhi, S. Gutmann, and A. M. Childs, “Exponential algorithmic speedup by a quantum walk,” in *Proceedings of the 35th ACM Symposium on the Theory of Computing* (2003), pp. 59–68.
- ²¹ W. J. C. Orr, “Statistical treatment of polymer solutions at infinite dilution,” *Trans. Faraday Soc.* **43**, 12–27 (1947).
- ²² P. J. Flory, “The configuration of real polymer chains,” *J. Chem. Phys.* **17**, 303–310 (1949).
- ²³ W. Kuhn, “Über die Gestalt fadenförmiger Moleküle in Lösungen,” *Kolloid-Z.* **68**, 2–15 (1934).

- ²⁴ P. J. Flory and T. G. Fox Jr., "Treatment of intrinsic viscosities," *J. Am. Chem. Soc.* **73**, 1904–1908 (1951).
- ²⁵ G. F. Lawler, "A self-avoiding random walk," *Duke Math. J.* **47**, 655–693 (1980).
- ²⁶ R. Pemantle, "Choosing a spanning tree for the integer lattice uniformly," *Ann. Probab.* **19**, 1559–1574 (1991).
- ²⁷ D. B. Wilson, "Generating random spanning trees more quickly than the cover time," in *Proceedings of the 28th Annual ACM Symposium on the Theory of Computing* (1996), pp. 296–303.
- ²⁸ J. G. Propp and D. B. Wilson, "How to get a perfectly random sample from a generic Markov chain and generate a random spanning tree of a directed graph," *J. Algorithms* **27**, 170–217 (1998).
- ²⁹ T. A. Brun, H. A. Carteret, and A. Ambainis, "Quantum walks driven by many velocities," *Phys. Rev. A* **67**, 052317-1–052317-17 (2003).
- ³⁰ T. A. Brun, H. A. Carteret, and A. Ambainis, "Quantum to classical transition for random walks," *Phys. Rev. Lett.* **91**, 130602-1–130602-4 (2003).
- ³¹ M. Mc Gettrick, "One dimensional quantum walks with memory," *Quantum Inf. Comput.* **10**, 0509–0524 (2010).
- ³² P. P. Rohde, G. K. Brennen, and A. Gilchrist, "Quantum walks with memory provided by recycled velocities and a memory of the velocity-flip history," *Phys. Rev. A* **87**, 052302-1–052302-11 (2013).
- ³³ T. Proctor, K. Barr, B. Hanson, S. Martiel, V. Pavlovic, A. Bullivant, and V. Kendon, "Non-reversal and non-repeating quantum walks," *Phys. Rev. A* **89**, 042332-1–042332-8 (2014).
- ³⁴ C. Camilleri, P. P. Rohde, and J. Twamley, "Quantum walks with tuneable self-avoidance in one dimension," *Sci. Rep.* **4**, 4791 (2014).
- ³⁵ A. Rosmanis, "Quantum snake walk on graphs," *Phys. Rev. A* **83**, 022304 (2011).
- ³⁶ A. Shakeel and P. Love, "When is a quantum cellular automaton (QCA) a quantum lattice gas automaton (QLGA)?," *Journal Math. Phys.* **54**, 092203-1–092203-40 (2013).
- ³⁷ E. Schrödinger, "Über die kräftefreie Bewegung in der relativistischen Quantenmechanik," *Sitzungsberichte der Preußischen Akademie der Wissenschaften. Physikalisch-mathematische Klasse* 418–428 (1930).
- ³⁸ E. Schrödinger, "Zur Quantendynamik des Elektrons," *Sitzungsberichte der Preußischen Akademie der Wissenschaften. Physikalisch-mathematische Klasse* 63–72 (1931).
- ³⁹ S. P. Jordan, K. S. M. Lee, and J. Preskill, "Quantum algorithms for quantum field theories," *Science* **336**, 1130–1133 (2012).
- ⁴⁰ Th. W. Ruijgrok and E. D. G. Cohen, "Deterministic lattice gas models," *Phys. Lett. A* **133**, 415–418 (1988).
- ⁴¹ P. Arrighi, N. Nesme, and R. Werner, "One-dimensional quantum cellular automata over finite, unbounded configurations," *Language and Automata Theory and Applications*, Lecture Notes in Computer Science (2008), Vol. 5196, pp. 64–75.
- ⁴² J. von Neumann, "On infinite direct products," *Compos. Math.* **6**, 1–77 (1939).
- ⁴³ A. Guichardet, *Symmetric Hilbert Spaces and Related Topics*, Lecture Notes in Mathematics (Springer, Berlin, 1972), Vol. 261.
- ⁴⁴ A. M. Childs, D. Gosset, and Z. Webb, "Universal computation by multiparticle quantum walk," *Science* **339**, 791–794 (2013).